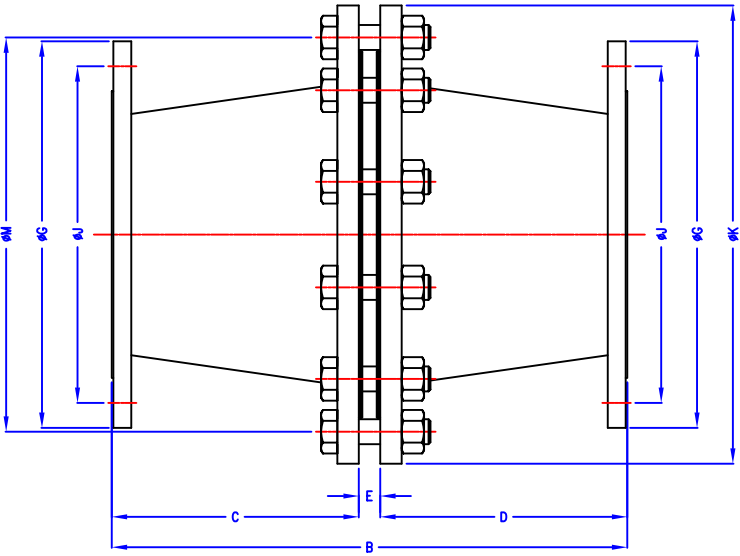
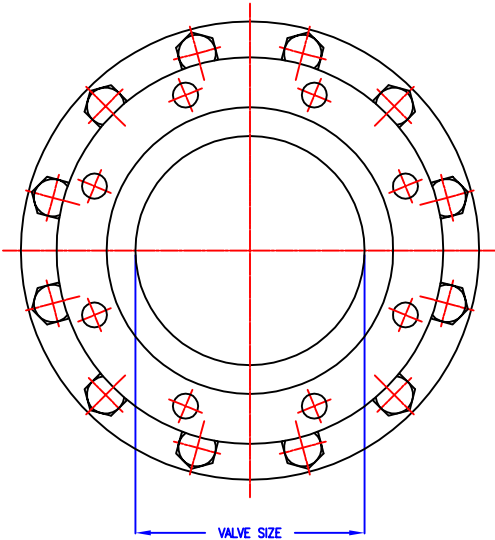




150 LB. BOLTING PATTERN

VALVE SIZE		FACE TO FACE	FACE TO FACE	FACE TO FACE	FLANGE THICKNESS	OUTSIDE DIAMETER	BOLT CIRCLE	NUMBER OF HOLES END FLANGES	DIAMETER OF HOLES END FLANGES	OUTSIDE DIAMETER	BOLT CIRCLE	NUMBER OF HOLES CENTER FLANGES	DIAMETER OF HOLES CENTER FLANGES
		B	C	D	E	#G	#J		#K	#M			
2"	IN	8-1/4	3-7/8	3-7/8	5/16	6	4-3/4	4	3/4	7-1/2	6	4	3/4
	MM	209.6	98.4	98.4	7.9	152.4	120.7		19.1	190.5	152.4		19.1
3"	IN	9-1/2	4-1/2	4-1/2	3/8	7-1/2	6	4	3/4	9	7-1/2	8	3/4
	MM	241.3	114.3	114.3	9.5	190.5	152.4		19.1	228.6	190.5		19.1
4"	IN	11-1/2	5-15/32	5-15/32	7/16	9	7-1/2	8	3/4	11	9-1/2	8	7/8
	MM	292.1	138.9	138.9	11.1	228.6	190.5		19.1	279.4	241.3		22.2
6"	IN	14	6-11/16	6-11/16	1/2	11	9-1/2	8	7/8	13-1/2	11-3/4	8	7/8
	MM	355.6	169.9	169.9	12.7	279.4	241.3		22.2	342.9	298.5		22.2
8"	IN	18	8-11/16	8-11/16	1/2	13-1/2	11-3/4	8	7/8	16	14-1/4	12	1
	MM	457.2	220.7	220.7	12.7	342.9	298.5		22.2	406.4	362.0		25.4
10"	IN	21-3/4	10-17/32	10-17/32	9/16	16	14-1/4	12	1	19	17	12	1
	MM	552.5	267.5	267.5	14.3	406.4	362.0		25.4	482.6	431.8		25.4
12"	IN	25-1/2	12-3/8	12-3/8	5/8	19	17	12	1	21	18-3/4	12	1-1/8
	MM	647.7	314.3	314.3	15.9	482.6	431.8		25.4	533.4	476.3		28.6
14"	IN	27-5/8	12-3/8	14-1/2	5/8	21	18-3/4	12	1-1/8	23-1/2	21-1/4	16	1-1/8
	MM	701.7	314.3	368.3	15.9	533.4	476.3		28.6	596.9	539.8		28.6
16"	IN	30	12-7/8	16-1/4	3/4	23-1/2	21-1/4	16	1-1/8	25	22-3/4	16	1-1/4
	MM	762.0	327.0	412.8	19.1	596.9	539.8		28.6	635.0	577.9		31.8
18"	IN	31	11-7/8	18-1/4	3/4	25	22-3/4	16	1-1/4	27-1/2	25	20	1-1/4
	MM	787.4	301.6	463.6	19.1	635.0	577.9		31.8	698.5	635.0		31.8
20"	IN	33	11-3/4	20-1/4	7/8	27-1/2	25	20	1-1/4	29-1/2	27-1/4	20	1-3/8
	MM	838.2	298.5	514.4	22.2	698.5	635.0		31.8	749.3	692.2		34.9
24"	IN	34	10-5/8	22-1/4	1	32	29-1/2	20	1-3/8	34-1/2	31-3/4	24	1-3/8
	MM	863.6	269.9	565.2	25.4	812.8	749.3		34.9	876.3	806.5		34.9
30"	IN	37-1/2	11	26-1/4	1-1/4	38-3/4	36	28	1-5/8	53	42-3/4	30	1-5/8
	MM	952.5	279.4	666.8	31.8	984.3	914.4		41.3	1346.2	1085.9		41.3



AVAILABLE IN
 CF8M (316 STAINLESS)
 CG1M (317 STAINLESS)
 254 SMO
 TITANIUM
 OTHER OPTIONS OR MATERIAL
 COMBINATIONS ARE AVAILABLE

F	----	---	---	 
E	----	---	---	
D	----	---	---	2" ~ 30" F6110 FABALLOY TILTING DISK CHECK VALVE
C	----	---	---	
B	----	---	---	DRAWN BY M. KALITA DATE 09/08/92 SCALE N.T.S.
A	GENERAL REVISION TO DRAWING	MJK	05/01/02	APPROVED BY DATE SHEET 1 OF 1
LET	REVISION	BY	DATE	MATERIAL AS PER ORDER DWG No. TLO20D REV -